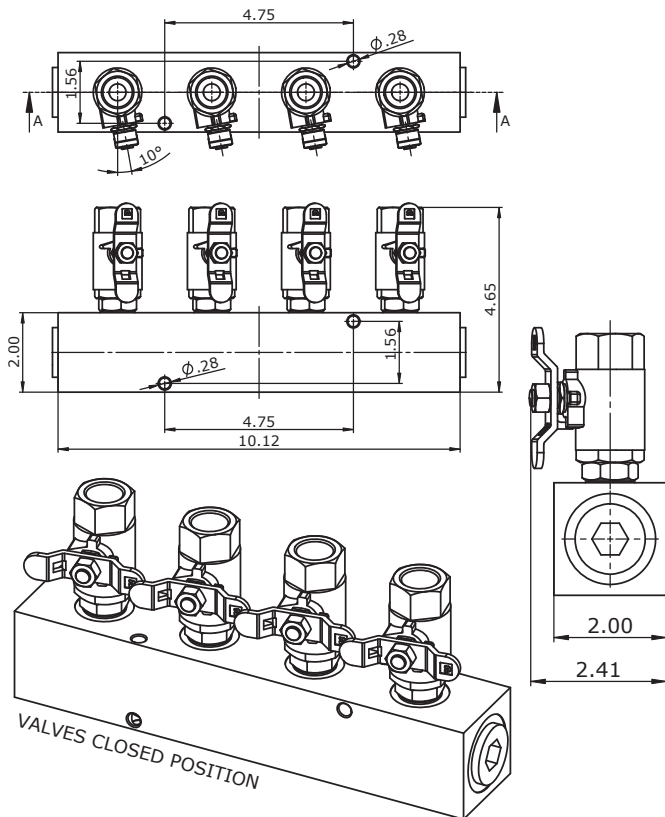


**AXI Manifolds** are made from durable, aircraft-grade, machined aluminum with a black anodize finish. AXI manifolds incorporate highest quality components to ensure long service life and minimal maintenance including stainless steel ball valves, quarter turn handles and brass body. They are also available in a variety of materials such as plastic, aluminum and other metals with standard port sizes and valve cavities.



4-Valve Manifold  
1" & .5"

- Brass Ball Valves
- Machine Thread O-Ring Seals
- Petroleum Safe Teflon Seals
- Mounting Holes Pre-drilled
- Can Be Mounted In Any Direction
- Black Anodize Body
- Multiple Hoses Connected To One Pump



<b>Material</b>	Aluminum 6061 - T651
<b>Operating Pressure</b>	3000 PSI
<b>Standard Ports</b>	NPT or SAE
<b>Alternate Ports</b>	BSPP, BSPT, Metric 'O' Ring Boss
<b>Alternate Materials</b>	Brass, Steel, Stainless Steel, Plastic

The valves are brass with "T" handles and have O-ring seals so that they can be turned to seal in any position. Manifolds are available in 1/2" and 3/4" standard models. AXI will custom engineer manifolds and junction boxes in various sizes and materials.

## ALGAE-X® Total Fuel Management Systems

Toll Free 877-425-4239 • Intl. +1-239-690-9589 • [www.algae-x.net](http://www.algae-x.net)